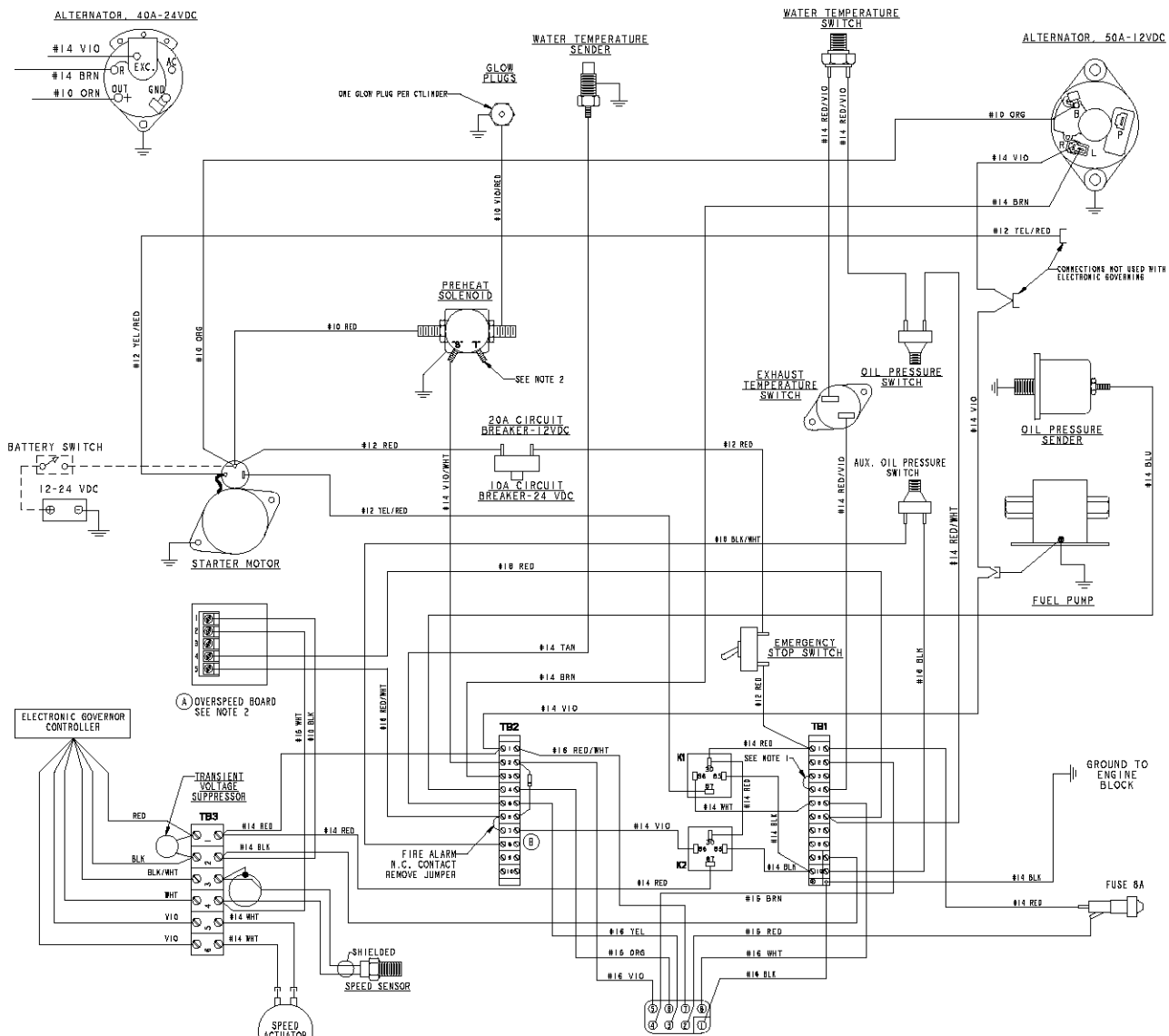
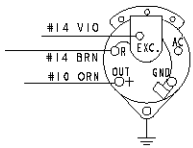
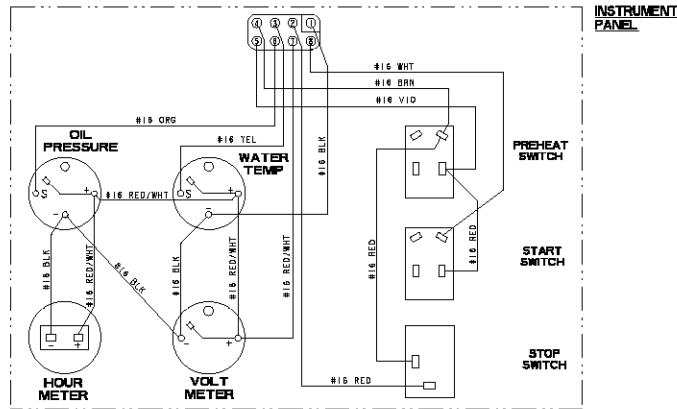
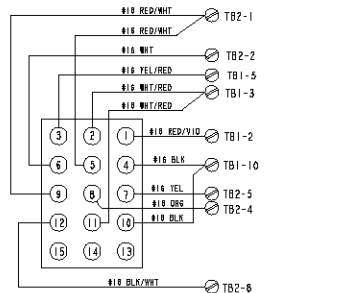


ALTERNATOR, 40A-24VDC

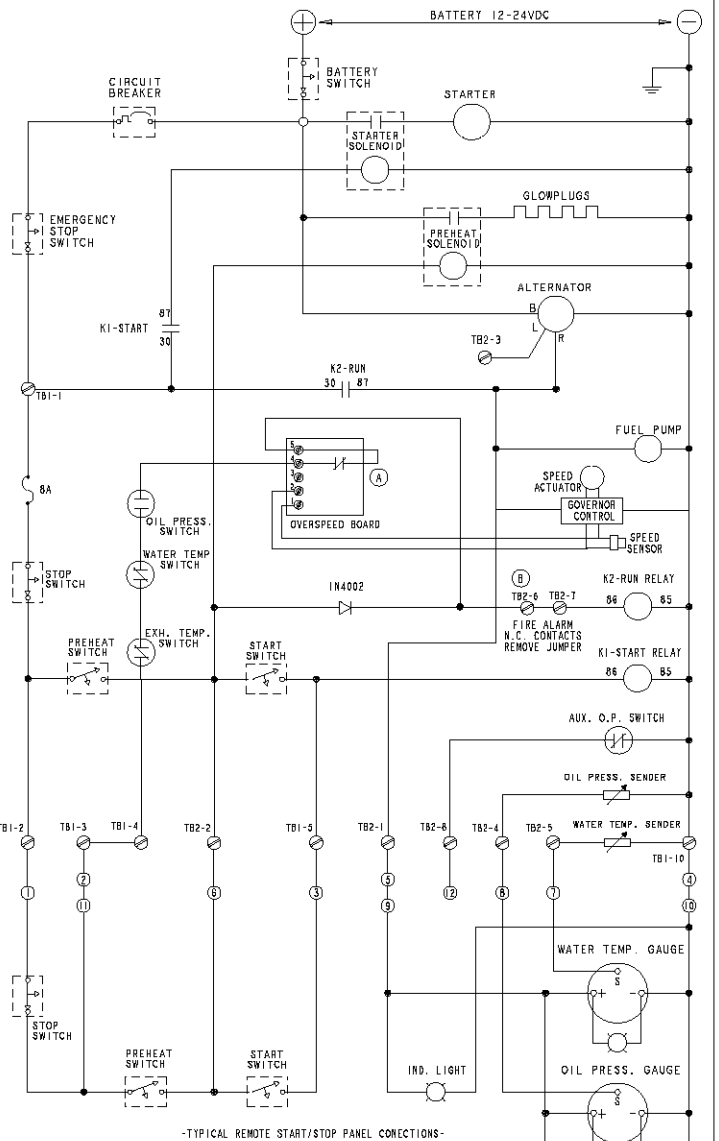
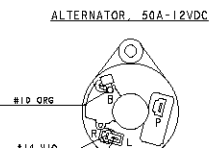


NOTE:

1. REMOVE JUMPER WHEN CONNECTING A SECOND REMOTE PANEL.
2. GROUND "1" TERMINAL OF PREHEAT SOLENOID ON 24V SYSTEM ONLY.



ALTERNATOR, 50A-12VDC



-TYPICAL REMOTE START/STOP PANEL CONNECTIONS-

NOTE:

1. REMOTE CONNECTOR PINS: J1 OPEN-50HZ, J2 OPEN-5-15KW, J3 CLOSE-50HZ, J4 CLOSE-20-25KW

| | | | | | |
|------|------|---|--|----|--|
| 5561 | 11-3 | 6 | ADDED JUMPER BETWEEN TB2-6B7; K2-8B WAS CONNECTED TO TB2-5. | GA | |
| 4707 | 12-1 | 2 | ADDED OVERSPEED BOARD | GA | |
| 4708 | 12-1 | 2 | ADDED OVERSPEED BOARD | GA | |

| | | | |
|--|------------|---|---|
| TOLERANCES (UNLESS OTHERWISE NOTED) | | WESTERBEKE CORPORATION AVON, MA. 02322 | |
| FRACTIONAL | DIMENSIONS | TITLE | WORKING DIAGRAM/SCHEMATIC, 8.0 BTDA, 10.0 BTDA, 12.5 BTDA, 15.0 BTDC - SRC W/ELECT G091 |
| DECIMALS | | FORM NO. | DATE |
| | | REVISED BY | DATE |
| | | APPROVED BY | DATE |
| | | SCALE | AS SHOWN |
| | | MATERIAL | AS SHOWN |
| | | FINISH | AS SHOWN |
| | | QUANTITY | AS SHOWN |
| | | PRICE | AS SHOWN |
| | | DATE | 11-1-81 |
| | | REVISED BY | |
| | | DATE | |
| | | REVISED BY | |
| | | DATE | |
| | | REVISED BY | |
| | | DATE | |